

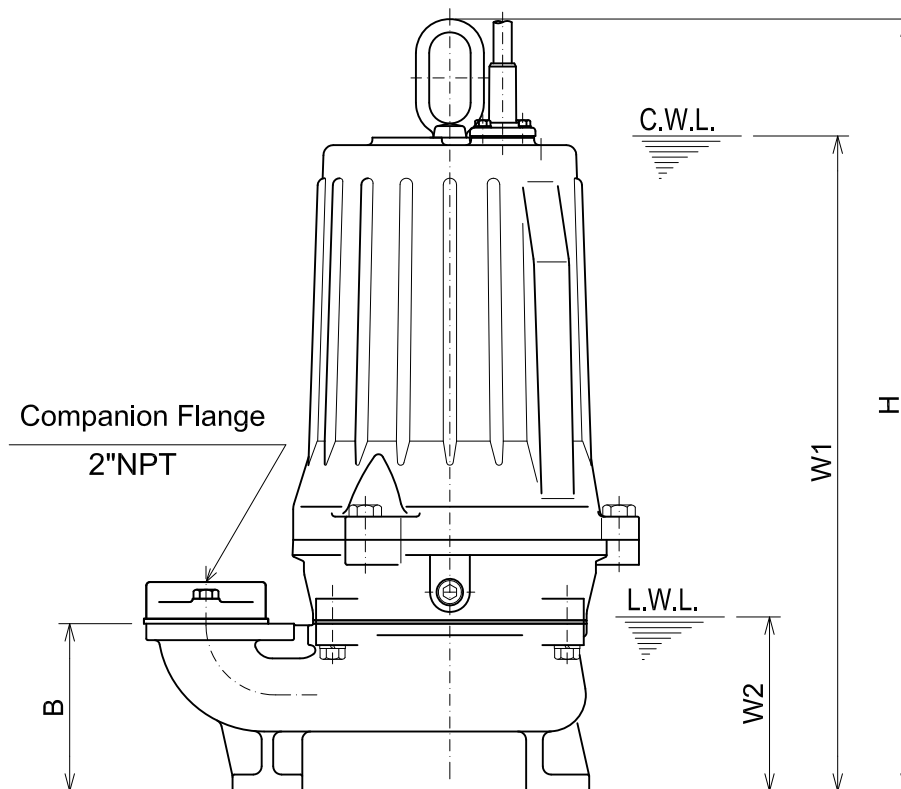
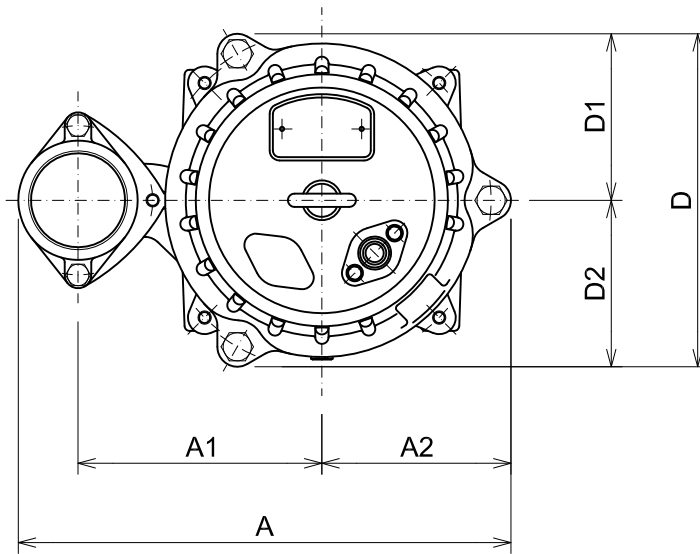


TSURUMI PUMP

**U-SERIES
SEMI-VORTEX - SEWAGE & WASTEWATER PUMPS**

DIMENSIONS

50U21.5 -63



C.W.L. :Continuous running Water Level
L.W.L. :Lowest running Water Level

DIMENSIONS:USCS(Inch)

Model	HP	NOM. SIZE	Pump & Motor								C.W.L. W1	L.W.L. W2	Wt. (lbs.)
			A	A1	A2	B	D	D1	D2	H			
50U21.5 -63	2	2"	11 11/16	5 13/16	4 1/2	4	7 15/16	4	4	18 3/8	15 1/2	4 1/8	66

DIMENSIONS:METRIC(mm)

Model	kW	NOM. SIZE	Pump & Motor								C.W.L. W1	L.W.L. W2	Wt. (kg)
			A	A1	A2	B	D	D1	D2	H			
50U21.5 -63	1.5	50	297	147	114	101	202	101	101	466	395	105	30